



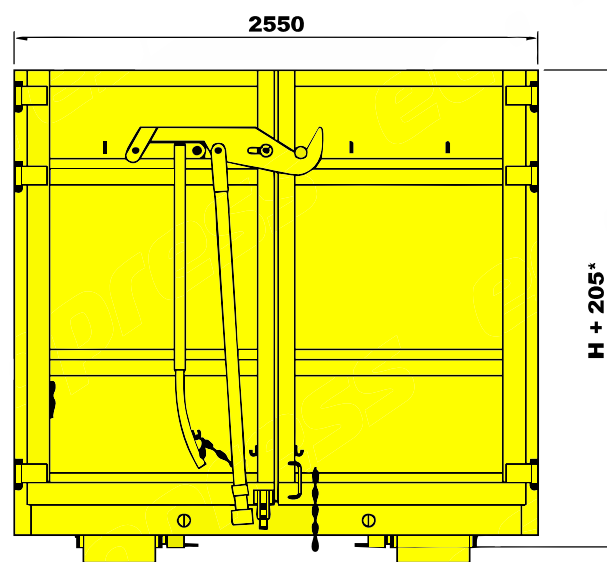
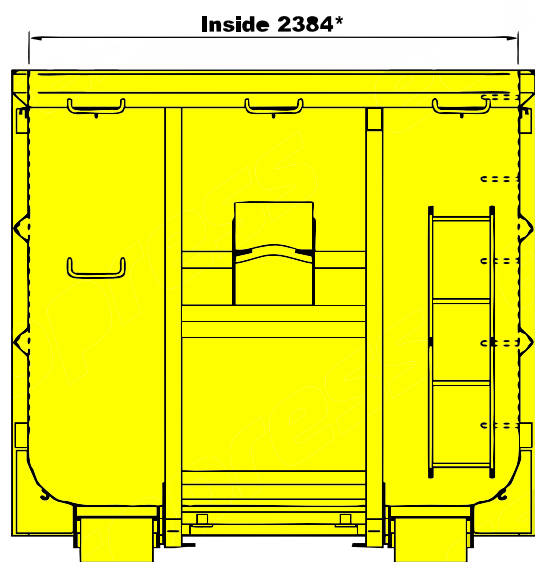
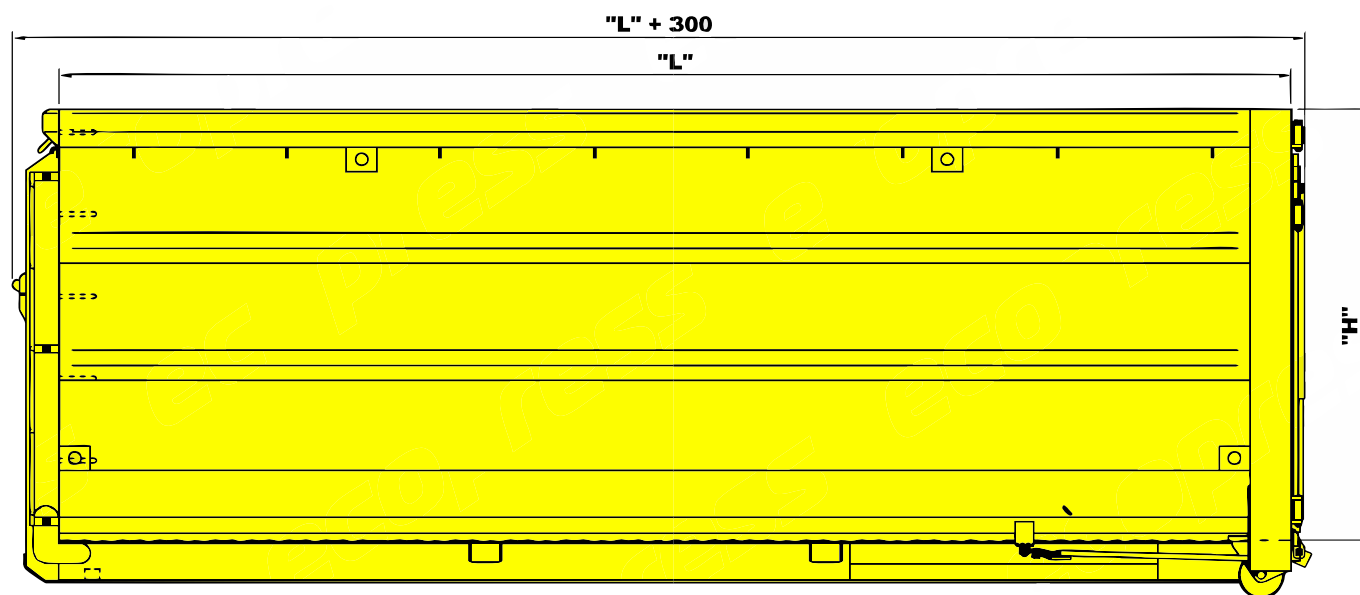
Type CLC specification:

- Frame fully reinforced according to SS3021 (UNP200), DIN30722/SFS4417 (INP180)
- Straight sides 3mm S235 (S355/S700 are available on demand as well 2mm or 4mm thickness)
- Rounded up bottom 4mm S235 (S355/S700/Hardox 450 are available on demand as well 3mm or 5mm thickness)
- Full height front frame RHS160x80x5
- No bottom profiles, support reinforcement 4pcs
- Back beam 8mm Strenx 700
- Top and back profiles 6mm Strenx 700
- Double side opening rear doors with 2 or 3 hinges with grease nipple on each hinge
- Hook-type locking mechanism (other types of locking mechanism are available on demand)
- Safety lock operated from the side
- Galvanized ladder on front wall
- Reflex decals
- Surface treatment:
 - shot blasting sa 2.5
 - inside 60µm alkyd primer
 - outside min 120µm 2K polyurethane EN ISO 12944 C3M

Options:

- Rolling tarpaulin cover
- Steel flat roof
- Steel arched roof
- Steel net roof (steel grid)
- Steel twin-sided roof
- Manual light mesh cover 270 degrees opening
- Sliding steel roof
- Fliptop roof solutions www.fliptop.se
- Cable winch for operation of roof
- Hydraulic manual pump
- Hydraulic combined pump (to operate with a drill)
- Lifting jack
- Steel plates on sides for logo stickers
- LOGO stickers and serial numbers
- Ladders on sides in back

Other extras are available on demand.



Model CLC

Type	H, mm	V, m ³
CLC11	800	11.2
CLC12	900	12.6
CLC14	1000	14.0
CLC15	1050	14.7
CLC17	1200	16.9
CLC18	1250	17.6
CLC20	1400	19.7
CLC22	1500	21.1
CLC24	1700	24.0
CLC25	1750	24.7
CLC27	1900	26.8
CLC28	2000	28.2
CLC30	2100	29.6
CLC31	2200	31.0
CLC32	2300	32.5
CLC35	2450	34.6
CLC37	2600	36.7
CLC38	2650	37.5
CLC39	2700	38.2
CLC40	2800	39.6
CLC41	2900	41.0
CLC42	2950	41.7

Length from 4000mm to 7500mm each 100mm (4000, 4100, 4200, etc)
 Locking device: Swedish lock / German lock / 7-lock

Frame: SS3021 / SFS4417 / DIN30722
 Sides: 2mm/3mm/4mm S235/S355/Hardox450
 Bottom: 3mm/4mm/5mm S235/S355/Hardox450